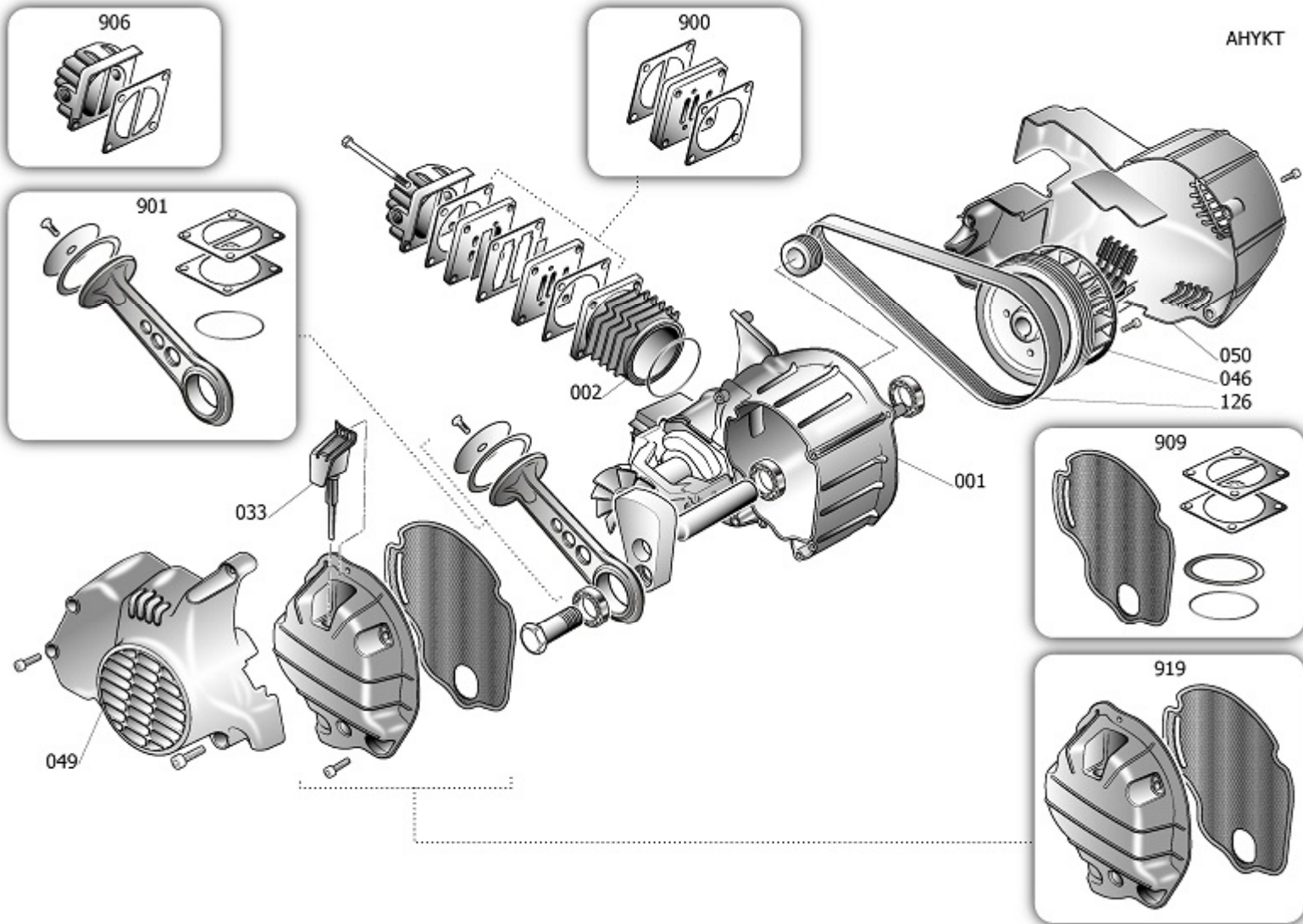




HYDV404STF513

HY 227/10/50V

| Pos | Component | MU | Multiplier |
|-----|-----------|--------------------------------|------------|
| 23 | 7981000 | ZUSAMMENST. LUFTFILTER | PZ 1,0 |
| 105 | 9048137 | RÜCKSCHLAGVENTIL | PZ 1,0 |
| 106 | 9047087 | LEITUNGSHAHN | PZ 1,0 |
| 107 | 9047079 | KONDENSABLASSHAHN | PZ 1,0 |
| 108 | 9051309 | DRUCKREDUZIERER | PZ 1,0 |
| 109 | 9052202 | MANOMETER | PZ 1,0 |
| 109 | 9052203 | MANOMETER | PZ 1,0 |
| 110 | 9049193 | SICHERHEITSVENTIL | PZ 1,0 |
| 116 | 9038469 | VERSCHLUSSTOPFEN | PZ 2,0 |
| 117 | 9069116 | KUGELGRIFF | PZ 1,0 |
| 131 | 9063274 | KOMPLETTER DRUCKSCHALTER | PZ 1,0 |
| 132 | 9065869 | SPEISEKABEL | PZ 1,0 |
| 138 | 9050698 | FASCETTA | PZ 2,0 |
| 145 | 9043723 | FÜHRERLEITUNG | PZ 1,0 |
| 164 | 9417577 | FITTING BARB 90° 1/4" 6 LONG R | PZ 1,0 |
| 200 | HY0000A | BARE PUMP | PZ 1,0 |
| 300 | 9421472 | SATZ-RAD/FEET | PZ 1,0 |
| 431 | 9069035 | CONTROL PANEL | PZ 1,0 |
| 602 | 9064886 | ELEKTRONISCHE KONTROLLVORR. | PZ 1,0 |





HY0000A

BARE PUMP

| Pos | Component | MU | Multiplier |
|-----|------------|--------------------------------|------------|
| 1 | 9417507 | KURBELGEH[USE | PZ 1,0 |
| 2 | 9417509SGL | ZYLINDER | PZ 1,0 |
| 4 | 9417502 | WELLE | PZ 1,0 |
| 9 | 9417500 | COUNTERWEIGHT | PZ 1,0 |
| 10 | 9417503 | CRANKSHAFT PIN | PZ 1,0 |
| 29 | 9417504 | SCHWUNGRAD | PZ 1,0 |
| 30 | 9170121 | 6302.2RS.C3.P6.V2.Z2.170Ä.ROHS | PZ 2,0 |
| 30 | 9415531 | 6201.2RS.C3.P6.V2.Z2.170Ä.ROHS | PZ 1,0 |
| 33 | 9069022 | \LSTOPFEN | PZ 1,0 |
| 46 | 9069023 | L]FTERRAD | PZ 1,0 |
| 49 | 9069025 | OBERER VERKLEIDUNG | PZ 1,0 |
| 50 | 9069026 | UNTERER VERKLEIDUNG | PZ 1,0 |
| 112 | 9050674 | NIPPEL | PZ 1,0 |
| 126 | 9075344 | RIEMEN POLY V | PZ 1,0 |
| 900 | 9434A60 | MPK VALVE PLATE OL227 HYBRID | PZ 1,0 |
| 901 | 9434B69 | MPK PISTON-CONROD OL227 HYBR | PZ 1,0 |
| 906 | 9434G61 | MPK HEAD OL227 HYBRID | PZ 1,0 |
| 909 | 9434F57 | MPK GASKET OL227 HYBRID | PZ 1,0 |
| 919 | 9434L53 | MPK CARTER COVER OL227 HYBR | PZ 1,0 |